



Box Van



In safe hands

Since 1958, people have put their trust in our trailers, just ask an owner - they're not difficult to find. As specialists in trailer design and engineering, we have continued to set the standard both in the UK and throughout much of Europe. We are an independent company with one focus: to build the best products on the market. More than 30,000 people choose our trailers each year - but we're not standing still. Our dedicated investment in new technologies and materials ensures that our products continue to exceed the expectations of our customers. We know that quality, strength, value and ease of maintenance are of vital importance to you. That's why we've made them the driving force behind everything we do.



Ifor Williams Box Van Trailers

Whatever you need to carry, there's an Ifor Williams Box Van to suit your needs. Take a look at the features and you'll find practicality, durability and reliability built in.

Our box vans are available in a choice of three height options, three width options and four length options. Smaller models are available with a choice of single or twin axles.

The range consists of two unbraked models and seventeen braked models. Most are offered with roller shutter, combination ramp doors or van rear doors, ensuring your trailer is perfect for your needs.


The white coated side panels are tough, smart and easy to clean. They provide the classic 'blank canvas' ready to be sign-written and ideal for pre-cut vinyl graphics and logos.

All our braked box vans feature an exclusive beam axle and leaf spring suspension system which has been developed for a safe and stable ride. Similar systems are widely used on commercial vehicles, where performance under load is essential. Renowned for its durability and ease of maintenance, the Ifor Williams beam axle system contributes significantly to the low depreciation of our trailers.

Our box van trailers feature a tapered/curved front section to maximise space and reduce drag. The increase in fuel economy makes a real difference when you are covering long distances.

All braked models come with cargo rails fitted as standard. Optional shoring poles and cargo straps mean the load can be restrained safely and securely while travelling. Additional restraint can be provided with extra lashing points, offered as an option.

All of our braked box vans feature a lockable front access door for convenient access to the load. The galvanized steel chassis, roof frame and drawbars offer unbeatable corrosion protection.



BV85 Twin axle with roller shutter

BV64e

Unbraked Box Van

Small enough to tow conveniently behind your car†, providing 2.3m³ of space, this box van is ideal for leisure, domestic or small business users.

Ideal for family holidays, weekend trips, the sports enthusiasts with too much gear for the boot/roof rack or simply the small business with goods to move. You'll find the BV64e an ideal way to keep all your belongings safe, dry and away from prying eyes. When not in use it can be safely parked up in your garage, and is light enough to manoeuvre easily. It's great for camping or enjoying outdoor activities such as cycling, canoeing or fishing, especially where bulky equipment is needed - it can even be used to carry a junior kart.

The BV64e is available with the choice of van style rear doors and flat roof or a convenient roller shutter with an aerodynamic GRP roof moulding. Both models feature a streamlined body and mudwings with the rear prop stands integrated into the wings. The adhesive bonded aluminium body structure gives exceptional strength whilst also saving weight, giving you more payload.

A convenient roof rack option on the van door version allows oversize objects* to be safely carried, anything from pipes and planks to canoes or surfboards. Rubber interior matting is also available to help grip your valuable load along with tie down points for the floor (these are sold loose so they can be positioned as desired to suit your load).

The strong, low maintenance rubber torsion suspension system is fitted with 145/80B10 tyres giving a maximum gross weight†† of up to 500kg.

* Roof rack is subject to a 30kg weight limit.

† Refer to towing vehicle manufacturers handbook for maximum unbraked towing limit.

BV64e



BV64e Roller shutter version

BV64e Van door version with optional roof rack



BV64e Van door version with optional roof rack fitted



BV84 Single axle with van door

Box Van Trailers

BV4 Series



Our BV4 series is the small trailer with a big heart. It's available as a single or twin axle, the single axle version being suitable for towing behind many larger family saloons.

Identical in every aspect of quality and build to the larger models in the range, this 8ft x 4ft trailer provides 5ft of headroom (which will clear most garage doors) and a carrying capacity of 4.62m³. The tapered, aerodynamic front section reduces drag, providing better fuel economy for the towing vehicle.

The single axle version offers a maximum gross weight of 1400kg, whilst the twin axle version offers 2700kg.

Available with a choice of van doors or combination ramp doors*, the BV4 series offers a surprisingly high specification for a small trailer.

White coated side panels allow you ample scope to advertise. Whether you're a go-karting enthusiast, running a mobile disco or transporting promotional material, you'll find the BV4 trailer a convenient and cost-effective solution.

BV4

*See options page for ramp door specification.

Box Van Trailers

BV5 Series



A regular on motorways all over the UK and Europe, the BV5 epitomises the flexibility of our box van range. Purchasers from antique dealers to mobile mechanics, small businesses to utility companies, have all found that this trailer can carry heavy loads or bulk items with ease.

The BV5 series is offered with three headroom options: 5ft (which will clear most garage doors), 6ft or 7ft. There are length options of 8ft, 10ft or 12ft. Carrying capacities range from 5.95m³ to 12.12m³.

All sizes come with twin axles giving a maximum gross weight of 2700kg. The BV85 is also offered with a single axle and a reduced maximum gross weight of 1400kg.

Tough, smart, and easy to clean, the white coated side panels provide the perfect 'blank canvas' ready to be sign-written and ideal for graphics and logos.

BV5





BV85 Twin-axle with roller shutter



BV126 Twin axle with combination ramp door

Box Van Trailers BV6 Series



For people who have bulky and/or heavy loads to move, the BV6 range is the ideal choice.

With parallel side walls and no wheel arch intrusions, the space inside these trailers is cavernous. The series offers a carrying capacity of up to 14.38m³.

The BV6 is available in lengths of 10ft or 12ft, and two headroom options: 6ft and 7ft. All models have a maximum gross weight of 3500kg.

The trailer offers a tapered front and a choice of roller shutter door, van door or ramp doors. GRP-coated side panels allow the purchaser ample scope to advertise.



BV6

Braked Box Van Features

It's the attention to detail of Ifor Williams trailers that makes our products so popular with owners. Just take a look at these standard features.



Chassis & floor

Chassis

The underside of the trailer features a galvanised steel chassis and drawbar, for long-lasting corrosion protection.

Floor

Phenol-coated on both sides, our ply platform floors feature an embossed grip pattern on the upper surface.

Beam Axle & Leaf Spring Suspension

The Ifor Williams beam axle system increases stability and reliability whilst ensuring minimum maintenance.



Beam axle

Spare Wheel

A mounting bracket and spare wheel are fitted as standard to all Ifor Williams trailers for complete peace of mind.



Coupling head

Coupling Head

The lockable low-profile coupling head ensures optimum clearance of 4x4 rear doors.

Front Access Door

The lockable front access door allows convenient access to the cargo.

Roof

The sturdy galvanised steel roof frame offers strength and security. The translucent GRP roof panel makes our trailers light and airy in the daytime, while at night the interior light provides illumination.



Roof, door & rails

Cargo Rails

Each box van features four cargo rails (two each side), running the full length of the side panels, with closely-spaced fixing points to accept the shoring poles/cargo straps.

Braked Box Van Optional Equipment



Prop Stands (Pair)

These help support and steady the rear of the trailer when loading and unloading (standard feature on single axle models).



Wheel Chocks (Pair)

For use with any of the box van trailer range for additional safety when uncoupling and parking. Each chock comes in a holder fixed to the trailer side near the mudguard.



Lashing Rings

Recessed hinged ring provides a secure floor level fixing point. Ideal for use on their own or in combination with the shoring poles to secure wheeled or awkwardly shaped loads.



Shoring Poles

Spring loaded poles which lock into one of the many positions on the cargo rails. Adjustable to secure almost any shape and size of load.

Flexibility for box van rear doors.

Rear door options must be stated at the time of order as they cannot be offered as a modification.



Van Doors

Lockable hinged doors complete with door stay.

Roller Shutter

Made from tough interlocking aluminium strips, the system allows quick and easy access, ideal for loading and unloading in confined spaces. Features a lockable strap at base of shutter (padlock not included).

Combination Ramp/Doors

The ultimate in flexibility, drive or wheel in your equipment or load with a fork-lift. The factory fitted spring-assisted ramp operates normally but can also be opened as doors to allow fork-truck access. This is ideal for loading pallets etc.*

*Always ensure that the load is distributed evenly and centred over the axles.

Unbraked Box Van Optional Equipment

Unbraked Box Van Features



Just because this is our smallest Box Van Trailer, that's no reason to compromise on features.



Aerodynamic Styling

The curved front, aerodynamic mud wings and roof all contribute to greatly reduced wind resistance.



Suspension System

The super strong, low maintenance rubber torsion suspension system features a galvanized axle beam for years of trouble free service.



Coupling Head

The easy to use coupling head features a quick, two stage action and soft grab handle insert to make coupling up effortless.



Large Format Lamps

Large lamps with integral reflective triangle, feature clear bright functions so those all important lane-change indicators are not missed on the motorway.

Integrated Rear Prop Stands

For use when trailer is uncoupled offering additional stability when loading.

Jockey Wheel

For easy manoeuvrability of the trailer, this 35mm stem jockey wheel is fitted in place of the regular prop-stand.

Lashing Point

Easy to fit, surface mount lashing points, supplied (loose) in packs of two for positioning as required.

Flooring Options Treadplate

Heavy duty treadplate overlay prevents the trailer floor from being damaged by hard objects (also available on braked models).

Flooring Options Rubber

The rubber matting helps to cushion the load and prevent objects sliding around.

Roof Rack

Allows oversize objects to be safely carried (subject to maximum weight restriction of 30kg). Lashing straps not included.



Box Van Trailers Specifications

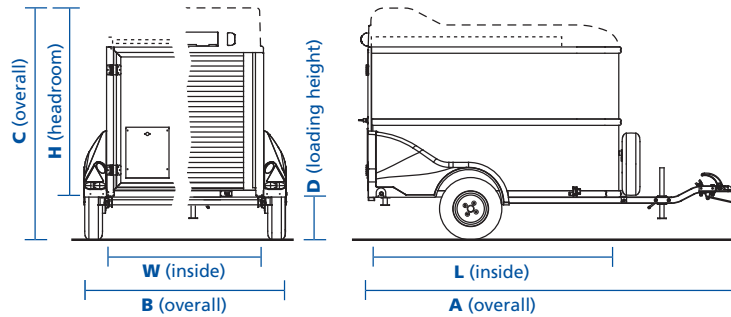
Overall Dimensions & Weights

The Ifor Williams commitment to trailer security.

Each trailer is fitted with an ID plate which has a unique serial number etched on it. Additionally, the drawbar has a different unique number cut through it*, which is virtually impossible to alter without noticeably affecting the appearance of the numbers and galvanized finish.



Unbraked Trailers

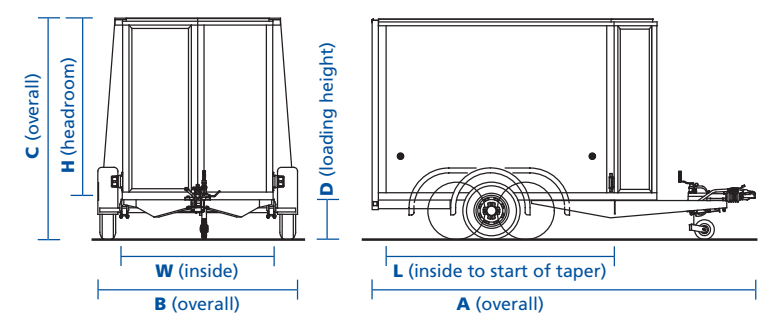


Dimensions in metres	A	B	C	D	L ¹	W	H	Unladen weight	Gross weight
BV64e with van doors	2.95	1.59	1.53	0.41	1.85	1.18	1.08	205kg	500kg
BV64e with van doors & optional roof rack	2.95	1.59	1.60	0.41	1.85	1.18	1.08	208kg	500kg
BV64e with roller shutter door	2.95	1.59	1.85	0.41	1.85	1.18	1.28	200kg	500kg

¹ 1.60 to extent of rectangular area

- - - - Roller shutter version - - - - - Optional roof rack (van door only)

Braked Trailers



Dimensions in metres	A	B	C	D	L	W	H	Gross weight
BV84 5' - Single Axle	3.90	1.80	2.05	0.42	2.40	1.17	1.53	1400kg
BV84 5'	3.90	1.80	2.05	0.42	2.40	1.17	1.53	2700kg
BV85 5'	4.10	2.10	2.05	0.42	2.40	1.47	1.53	2700kg
BV85 5' - Single Axle	4.10	2.10	2.05	0.42	2.40	1.47	1.53	1400kg
BV85 6'	4.10	2.10	2.35	0.42	2.40	1.47	1.83	2700kg
BV85 6' - Single Axle	4.10	2.10	2.35	0.42	2.40	1.47	1.83	1400kg
BV85 7'	4.10	2.10	2.65	0.42	2.40	1.47	2.14	2700kg
BV85 7' - Single Axle	4.10	2.10	2.65	0.42	2.40	1.47	2.14	1400kg
BV105 5'	4.70	2.10	2.05	0.42	3.00	1.47	1.53	2700kg
BV105 6'	4.70	2.10	2.35	0.42	3.00	1.47	1.83	2700kg
BV105 7'	4.70	2.10	2.65	0.42	3.00	1.47	2.14	2700kg
BV125 6'	5.30	2.10	2.35	0.42	3.60	1.47	1.83	2700kg
BV125 7'	5.30	2.10	2.65	0.42	3.60	1.47	2.14	2700kg
BV106 6'	4.70	2.30	2.30	0.38	3.00	1.73	1.83	3500kg
BV106 7'	4.70	2.30	2.60	0.38	3.00	1.73	2.14	3500kg
BV126 6'	5.35	2.30	2.30	0.38	3.60	1.73	1.83	3500kg
BV126 7'	5.35	2.30	2.60	0.38	3.60	1.73	2.14	3500kg

Rear Door Apertures Unbraked & Braked Trailers

Width in mm	BV64e	BV4	BV5	BV6
Van Doors	1110	1160	1460	1700
Roller Shutter	1065	1120	1420	1660
Combination Doors (Ramp)	-	1140	1440	1680
Combination Doors (Doors)	-	1070	1370	1610

Headroom in mm	BV64e	5'	6'	7'
Van Doors	1080	1480	1780	2080
Roller Shutter	1283	1260	1560	1860
Combination Doors (Ramp)	-	1480	1780	2080
Combination Doors (Doors)	-	1240	1540	1840

*Not applicable on the BV64e.

Trailer fitted with Roller Shutter Door
 Trailer fitted with Ramp/Doors
 Trailer fitted with Van Doors
 Rear Prop Stands (Pair)
 Wheel Chocks
 Shoring Pole (Each)
 Retaining Strap 3m
 Lashing Ring (Recessed) Pair
 Aluminium Treadplate Floor Covering
 Jockey Wheel
 Lashing Points (Pair) Self Fit
 Roof Rack
 Rubber Matting

				Unladen Weight	Unladen Weight	Unladen Weight											
BV 4-Unbraked		Maximum Gross Weight	Tyres														
BV64e Single Axle	3'6" H/R	500kg	145/80B10	200kg	-	205kg	Std	Option	-	Option	Option	Option	Option†	Option	Option*	Option	
BV 4-Series																	
BV84 Single Axle	5' H/R	1400kg	165R13C	-	570kg	515kg	Std	Option	Option	Option	Option	Option	Option	Std	-	-	-
BV84	5' H/R	2700kg	165R13C	-	660kg	605kg	Option	Option	Option	Option	Option	Option	Option	Std	-	-	-
BV 5-Series																	
BV85	5' H/R	2700kg	165R13C	640kg	705kg	650kg	Option	Option	Option	Option	Option	Option	Option	Std	-	-	-
BV85 Single Axle	5' H/R	1400kg	165R13C	550kg	625kg	560kg	Std	Option	Option	Option	Option	Option	Option	Std	-	-	-
BV85	6' H/R	2700kg	165R13C	675kg	745kg	680kg	Option	Option	Option	Option	Option	Option	Option	Std	-	-	-
BV85 Single Axle	6' H/R	1400kg	165R13C	585kg	665kg	600kg	Std	Option	Option	Option	Option	Option	Option	Std	-	-	-
BV85	7' H/R	2700kg	165R13C	770kg	865kg	790kg	Option	Option	Option	Option	Option	Option	Option	Std	-	-	-
BV85 Single Axle	7' H/R	1400kg	165R13C	620kg	715kg	640kg	Std	Option	Option	Option	Option	Option	Option	Std	-	-	-
BV105	5' H/R	2700kg	165R13C	705kg	765kg	715kg	Option	Option	Option	Option	Option	Option	Option	Std	-	-	-
BV105	6' H/R	2700kg	165R13C	735kg	815kg	755kg	Option	Option	Option	Option	Option	Option	Option	Std	-	-	-
BV105	7' H/R	2700kg	165R13C	770kg	870kg	820kg	Option	Option	Option	Option	Option	Option	Option	Std	-	-	-
BV125	6' H/R	2700kg	165R13C	800kg	880kg	815kg	Option	Option	Option	Option	Option	Option	Option	Std	-	-	-
BV125	7' H/R	2700kg	165R13C	850kg	945kg	880kg	Option	Option	Option	Option	Option	Option	Option	Std	-	-	-
BV 6-Series																	
BV106	6' H/R	3500kg	155/70R12C	900kg	985kg	910kg	Std	Option	Option	Option	Option	Option	Option	Std	-	-	-
BV106	7' H/R	3500kg	155/70R12C	935kg	1035kg	950kg	Std	Option	Option	Option	Option	Option	Option	Std	-	-	-
BV126	6' H/R	3500kg	155/70R12C	980kg	1070kg	995kg	Std	Option	Option	Option	Option	Option	Option	Std	-	-	-
BV126	7' H/R	3500kg	155/70R12C	1030kg	1130kg	1045kg	Std	Option	Option	Option	Option	Option	Option	Std	-	-	-

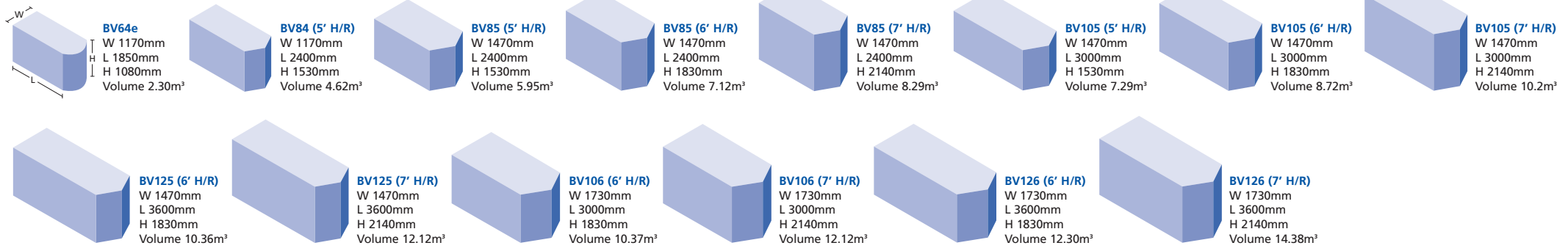
* Van Door version only
 H/R - Headroom
 † Single front prop stand included as standard

BV6 also available on 175/75R16C

Optional accessories have been priced as factory fit items, ordered with your trailer. If ordered at a later date, your distributor may need to fit the items, which will result in fitting charges being incurred.

Please note that the Box Van range, while offering excellent weather protection, is not guaranteed to be completely waterproof. Under certain weather conditions condensation can form, especially on the roof sections. Door and ramp apertures are sealed to the extent that is practical but do not offer an absolute barrier in all circumstances, to the ingress of moisture.

Internal Dimensions





BV84 Single axle with van door

Product design, descriptions, colours, specifications etc. correct at time of going to press. We constantly strive to improve our products, and from time to time this may result in changes to our range or to individual models. Please check that design, description, colours, specifications described in this brochure are still valid at the time of placing an order.

Our distributors have extensive product knowledge and will be pleased to offer assistance in the selection of your trailer.

© Ifor Williams Trailers Ltd 2009.
All rights reserved.

No part of this publication may be reproduced in any form or by any means, without the prior written permission of Ifor Williams Trailers Ltd.

Distributed throughout the UK & Europe



Ifor Williams Trailers Ltd

Cynwyd, Corwen, Denbighshire LL21 0LB UK

Telephone +44 (0)1490 412527

Facsimile +44 (0)1490 413216

For further information visit our
comprehensive website

www.iwt.co.uk

05/09

We would like to thank the following for their assistance in the photography of this brochure:
Glan y Gors Park and Kart Track, Corwen. The National White Water Centre, Bala. Pen y Bont Touring & Camping Park, Bala.